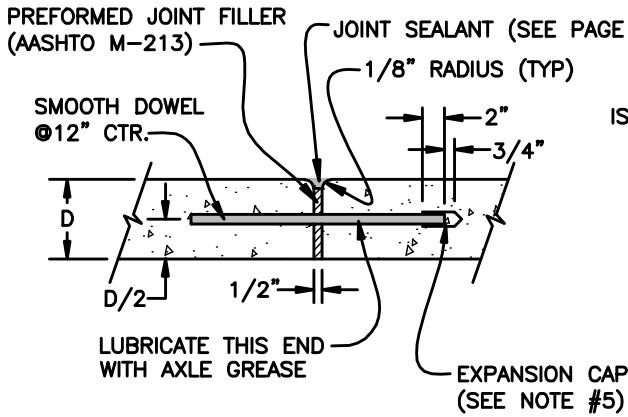
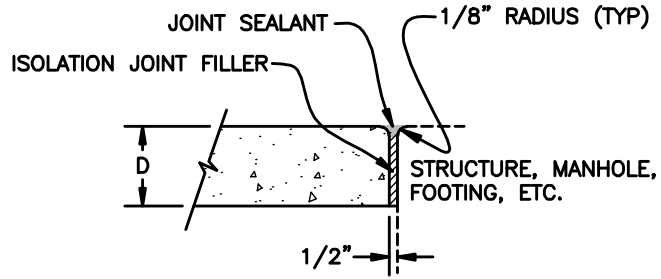


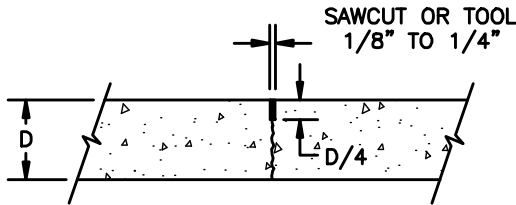
N:\c:\net\c11\STANDARDS\STANDARD DRAWING DETAILS\2007-Concrete Details REV 5-10-07.dwg, C-29 (REV 01-07), 5/29/2007 3:38:45 PM



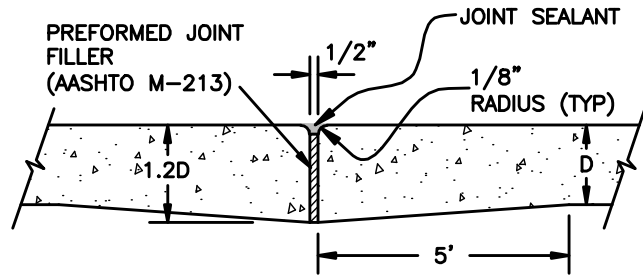
DOWELED ISOLATION OR EXPANSION JOINT



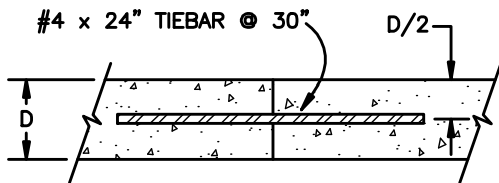
UNDOWELED ISOLATION JOINT



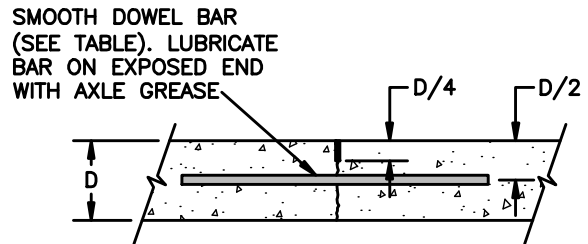
CONTRACTION JOINT



THICKENED EDGE ISOLATION JOINT



EMERGENCY CONSTRUCTION JOINT



PLANNED CONSTRUCTION JOINT

NOTES

1. ALL EXPANSION AND ISOLATION JOINTS SHALL BE SEALED PER DETAILS ON PAGE C-28.
2. SEE PAGE C-30 FOR LONGITUDINAL JOINT DETAILS.
3. ALL HANDTOOLED JOINTS SHALL BE FINISHED WITH A 1/4" OR SMALLER RADIUS.
4. SEE SECTION 705.01 OF THE S.S.F.R.B. FOR APPROVED JOINT SEALANTS.
5. MAKE A WATERTIGHT SEAL BETWEEN THE DOWEL BAR AND THE EXPANSION CAP WITH A RUBBER O-RING.

| DOWEL SIZE FOR JOINTED REINFORCED PAVEMENTS AND CONSTRUCTION JOINTS | | |
|---|-----------------------|---------------------------|
| SLAB DEPTH(D) INCHES | DOWEL DIAMETER INCHES | TOTAL DOWEL LENGTH INCHES |
| 6.0 to 6.9 | 3/4 | 16 |
| 7.0 to 8.0 | 1 | 16 |

ALL DOWELS SPACED AT 12" CENTERS

JOINT DETAILS FOR CONCRETE PAVEMENT

DEPARTMENT OF PUBLIC WORKS AND PLANNING
ENGINEERING DIVISION
CITY OF GRAND JUNCTION, COLORADO

STANDARD CONCRETE
DETAIL

APPROVED: DN
REVISED: FEB 2001
DRAWN: ILT

PAGE
C-29