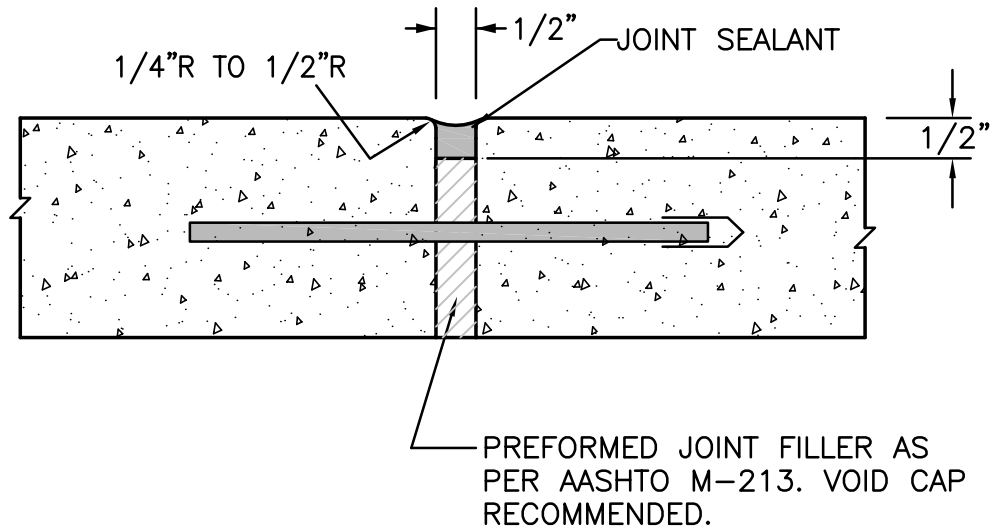


MANHOLE ISOLATION JOINT

ALL EXPANSION AND ISOLATION JOINTS IN CONCRETE PAVEMENT SHALL BE SEALED.

SEE SECTION 705.01 OF THE STANDARD SPECS. FOR ROAD AND BRIDGE CONSTRUCTION FOR APPROVED JOINT SEALANTS. SEALANT COLOR SHALL MATCH CONCRETE



EXPANSION JOINT

JOINT SEAL FOR CONCRETE PAVEMENT