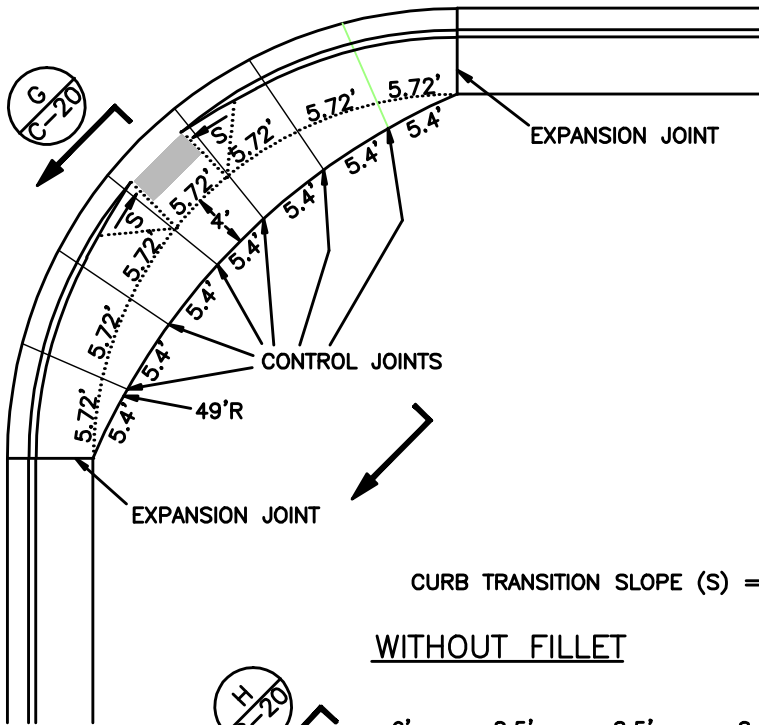
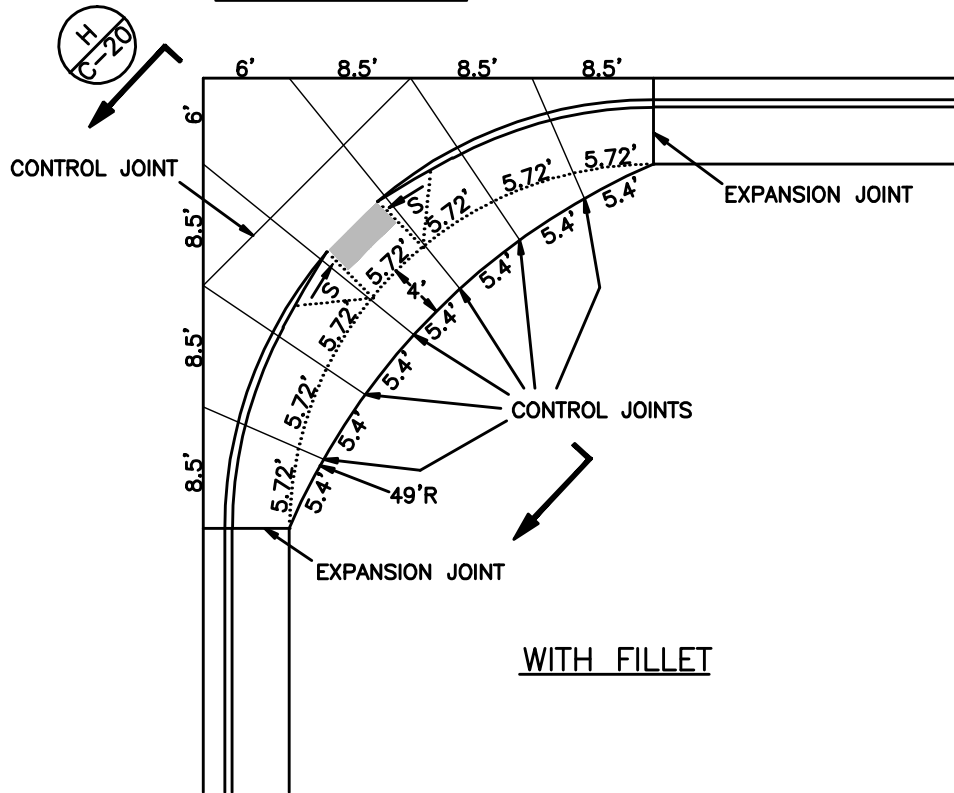


N:\c:\net\c\it\STANDARD\STANDARD DRAWING DETAILS\2007--Concrete Details REV 5-10-07.dwg, C-18, 5/29/2007 3:27:23 PM



CURB TRANSITION SLOPE (S) = 10:1 MAX.

WITHOUT FILLET



WITH FILLET

LEGEND

..... REPRESENTS GRADE BREAK

CURB RETURN JOINTS - 30' RADIUS FACE OF CURB

DEPARTMENT OF PUBLIC WORKS AND PLANNING  
ENGINEERING DIVISION  
CITY OF GRAND JUNCTION, COLORADO

STANDARD CONCRETE  
DETAIL

APPROVED: DN  
REV: FEB 2005  
DRAWN: DPW

PAGE  
C-18