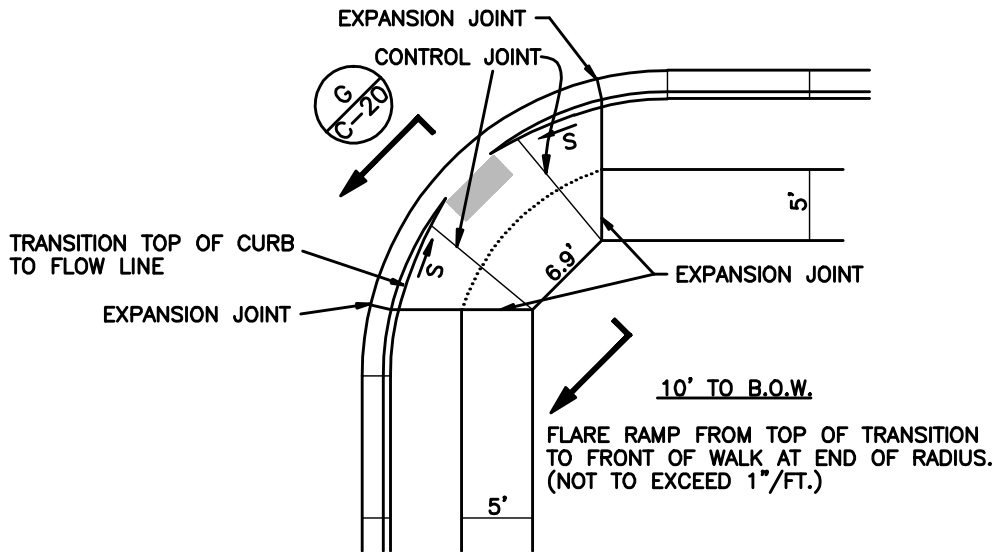


CURB TRANSITION SLOPE (S) = 10:1 MAX.



DETACHED SIDEWALK

LEGEND

..... REPRESENTS GRADE BREAK

CURB RETURN JOINTS - 20' RADIUS FACE OF CURB

DEPARTMENT OF PUBLIC WORKS AND PLANNING
ENGINEERING DIVISION
CITY OF GRAND JUNCTION, COLORADO

STANDARD CONCRETE
DETAIL

APPROVED: DN
DATE: JULY 2005
DRAWN: CM

PAGE
C-16