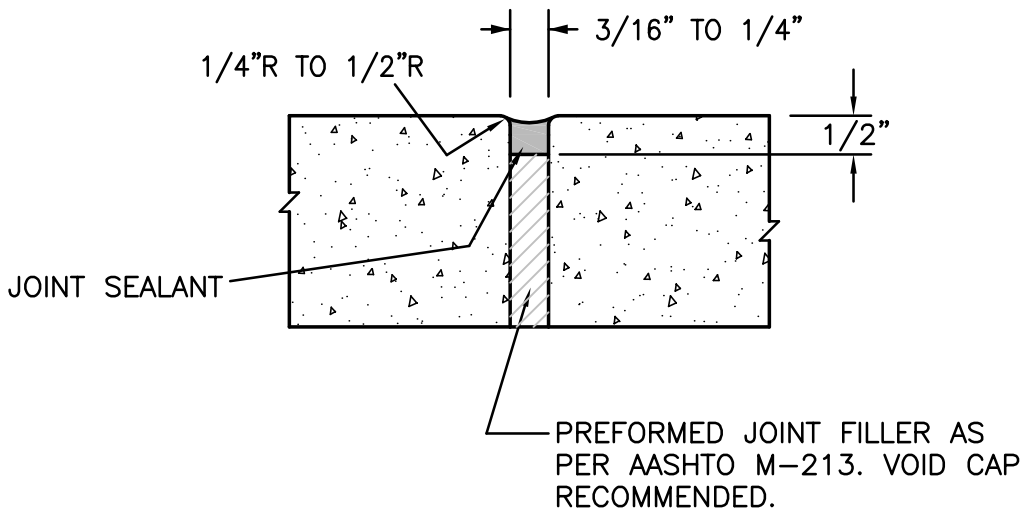


ALL JOINTS IN CONCRETE PAVEMENT, INCLUDING DRAINAGE PANS AND CORNER FILLETS SHALL BE SEALED.

SEE SECTION 705.01 OF THE STANDARD SPECS. FOR ROAD AND BRIDGE CONSTRUCTION FOR APPROVED JOINT SEALANTS. SEALANT SHALL BE SAME COLOR AS CONCRETE

JOINT SEAL DETAIL



EXPANSION OR ISOLATION JOINT

JOINT SEAL FOR CONCRETE PAVEMENT